

SURFACE MOUNT SCHOTTKY BARRIER RECTIFIERS

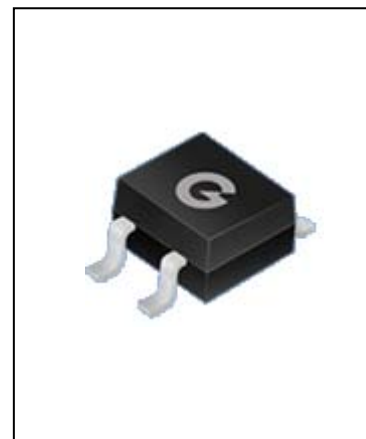
SMB22S--SMB210S

FEATURES

- Schottky barrier rectifier
- Guarding protection
- Low forward voltage
- Reverse energy tested
- High current capability
- Extremely low thermal resistance



Lead-free



MECHANICAL DATA

- Case: MBS molded plastic body
- Polarity: Color band denotes cathode end
- Mounting position: ANY

Maximum Ratings (@TA = 25°C unless otherwise specified)

Characteristic	Symbol	SMB	SMB	SMB	SMB	SMB	SMB	SMB	SMB	UNITS
		22S	23S	24S	25S	26S	28S	29S	210S	
Peak Repetitive Reverse Voltage	V_{RRM}	20	30	40	50	60	80	90	100	V
RMS Reverse Voltage	V_{RMS}	14	21	28	35	42	56	63	70	V
DC Blocking Voltage	V_{DC}	20	30	40	50	60	80	90	100	V
Maximum average forward Output current @TA=90°C	$I_{F(AV)}$	2.0								A
Peak forward surge current 8.3ms single half-sine-wave superimposed on rated load	I_{FSM}	50								A

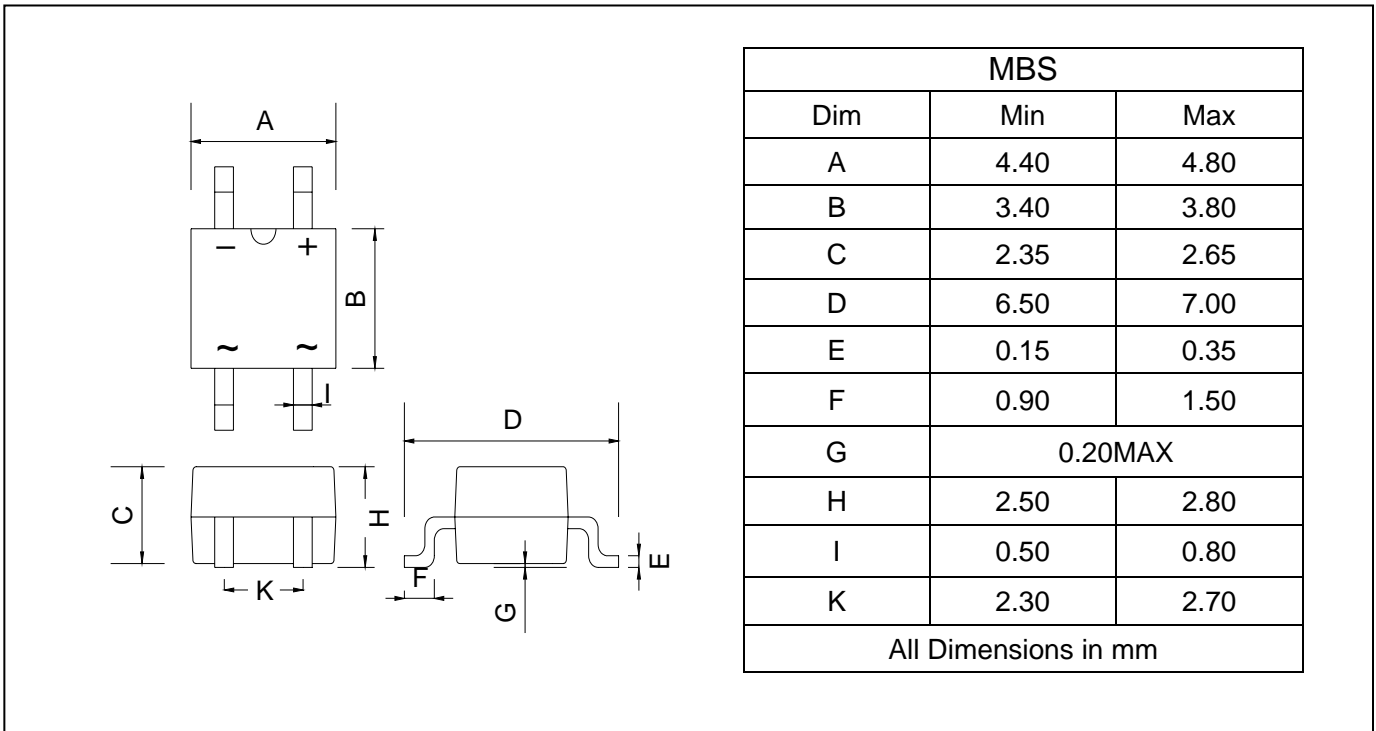
Thermal Characteristics

Characteristic	Symbol	SMB	SMB	SMB	SMB	SMB	SMB	SMB	SMB	UNITS	
		22S	23S	24S	25S	26S	28S	29S	210S		
Operating junction temperature range	T_J	-55--- +125						-55--- +150			°C
Storage temperature range	T_{STG}	-55--- +150									°C

Electrical Characteristics (@TA = 25°C unless otherwise specified)

Characteristic	Symbol	SMB	SMB	SMB	SMB	SMB	SMB	SMB	SMB	UNITS	
		22S	23S	24S	25S	26S	28S	29S	210S		
Maximum instantaneous forward voltage at 2.0 A (NOTE1)	V_F	0.50			0.75		0.85			V	
Maximum reverse current @TA=25°C at rated DC blocking voltage @TA=100°C	I_R	0.4						0.03			mA
		10						5.0			

NOTE: 1.Pulse test: Pulse width 300us,duty cycle 1 %

**SURFACE MOUNT SCHOTTKY
BARRIER RECTIFIERS**
SMB22S--SMB210S
PACKAGE OUTLINE DIMENSIONS

PACKAGE INFORMATION

Device	Package	Shipping
SMB22S--SMB210S	MBS	3000/Tape&Reel



**SURFACE MOUNT SCHOTTKY
BARRIER RECTIFIERS**

SMB22S--SMB210S

FIG.1 – FORWARD DERATING CURVE

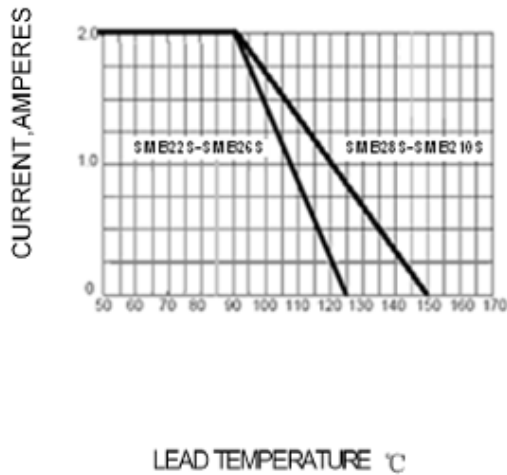


FIG.2- PEAK FORWARD SURGE CURRENT

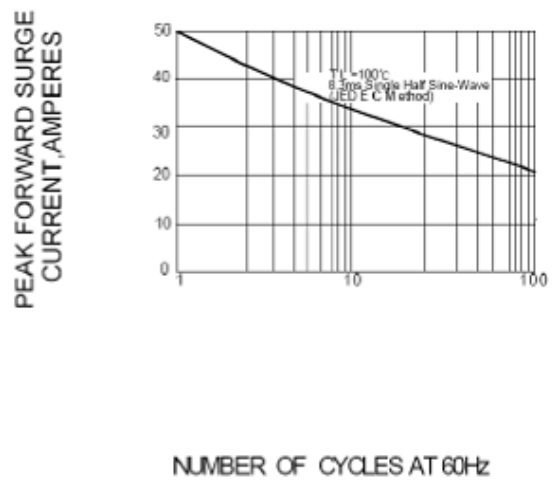


FIG.3 – TYPICAL FORWARD CHARACTERISTICS

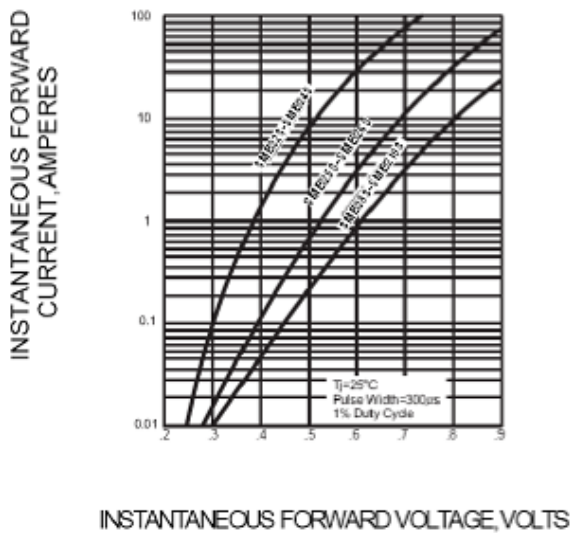


FIG.4 – TYPICAL REVERSE CHARACTERISTICS

